

ULTRA-COMPACT
620 MM BY 420
MM TUNNEL
CHECKPOINT
SECURITY
SCREENING SYSTEM
FOR CRITICAL
INFRASTRUCTURE
PROTECTION

SUPERB IMAGE QUALITY

HIGHLY RELIABLE

ULTRA-COMPACT

STANDARD FEATURES

- Multi Energy Imaging (4 Color)
- View Previous/Next Bag
- Image Archive
- Configurable Image Processing Keys
- Baggage Counter
- Date / Time Display
- Search Indicator
- Flat Panel Monitor

STANDARD IMAGE PROCESSING FUNCTIONS

- Crystal Clear™
- SINERGY™
- Black and White
- Organic / Inorganic Stripping
- Inverse Video
- High Penetration
- Low Penetration
- Pseudo Color
- Variable Edge Enhancement
- Variable Color Stripping
- Variable Gamma
- Variable Density
- Dynamic Continuous Zoom & Panning
- Fixed Zoom (64x)

sales@rapiscansystems.com
www.rapiscansystems.com



TUNNEL OPENING (W X H):
620 X 420 MM (24.4 X 16.5 IN)

THE NEW RAPISCAN 620XR ve IS A DUAL MODE, DUAL ENERGY 620 MM BY 420 MM TUNNEL ULTRA-COMPACT X-RAY SECURITY SCREENING SYSTEM WITH SUPERB IMAGING PERFORMANCE.

The 620XR ve implements Rapiscan's proprietary X-ray imaging technique allowing the system to extract information about the object's atomic composition and material discrimination, resulting in superior image quality.

By providing a small footprint and low weight, the compact 620XR ve is ideal for screening small to medium size parcels, briefcases and packages at high threat locations including event security, prisons, government buildings, schools and commercial buildings.

EASE OF USE PROVIDING HIGHEST THROUGHPUT

With over 14 image processing tools, the feature-rich software allows the operator to more easily and accurately search for contraband.

SINERGY™

Rapiscan's latest proprietary image enhancement tool, utilizes the new innovative Dual-Mode X-ray imaging Technique (DMxI) to emphasize the detail in specific regions of images by enhancing the visibility of thin metal therefore increasing operator recognition of potential threats in cluttered images.

SUPER COMPACT, HIGH PERFORMANCE

With a small footprint and a low weight of under 373kg, 620XR ve is ideal for security sensitive areas with limited space for placement of security equipment while providing excellent imaging performance.

REGULATORY COMPLIANCE

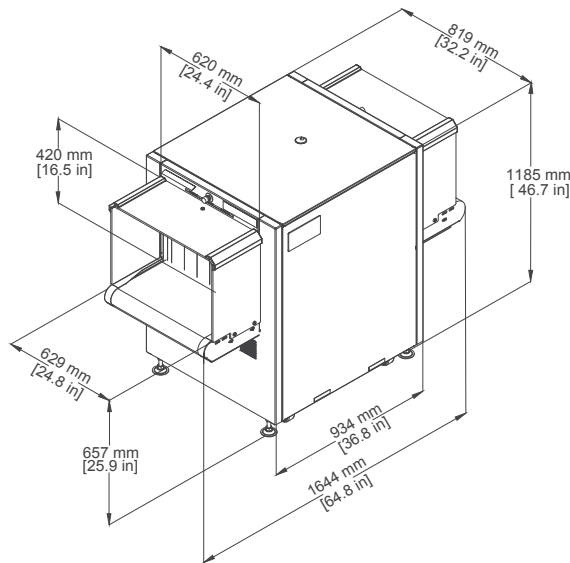
620XR ve is in full compliance with the European Union regulations (EC) No. 300/2008, (EU) No. 2015/1998 and Commissions Decision C-(2015)8005.



RAPISCAN 620XR ve

Rapiscan[®]
systems

An OSI Systems Company



PHYSICAL SPECIFICATIONS

Dimensions:	Length: 1,644 mm (64.8 in.) Width: 819 mm (32.2 in.) Height: 1,185 mm (46.7 in.)
Tunnel Size:	620 mm (W) x 420 mm (H) (24.4 x 16.5 in.)
Conveyor Speed:	0.20 m/sec (39.4 ft./min)
Conveyor Load (Max):	165 Kg (364 lbs) evenly distributed
Conveyor Height (Approx.):	657 mm (25.9 in.)
Weight (Approx.):	Net: 373 Kg (822.3 lbs) Gross: 482 Kg (1062.6 lbs)
System Power:	115/230 VAC ±10%

X-RAY GENERATOR AND IMAGE PERFORMANCE¹

Steel Penetration:	30 mm standard
Wire Resolution:	41 AWG standard
Cooling:	Sealed oil bath with forced air
Anode Voltage:	140kV
Orientation:	Diagonally Upward

OPERATING ENVIRONMENT

Storage Temperature:	-20°C to 50°C
Operating Temperature:	0°C to 40°C
Relative Humidity:	5 to 95% non-condensing

PROTECTION CLASS

System:	IP20
Operator Control Panel:	IP43 ²

HEALTH & SAFETY

Rapiscan Systems' cabinet X-ray products comply with all applicable U.S. FDA and equivalent international regulatory agency requirements, contained in the cabinet X-ray radiation safety performance standard [21 CFR 1020.40] and the general performance standard [21 CFR Part 1010] as well as IEC standard 61010-2-091.

Rapiscan baggage and parcel inspection systems radiation emission leakages are well below the required regulatory limits with less than 1 µSv/hr at 10 cm from all surfaces of cabinet X-ray.

SOFTWARE

- OS600
- 64-bit Operating System

OPTIONS AND ACCESSORIES

- Density Threshold Alert (DTA)
- Threat Image Projection (TIP)
- Automatic Image Archiving
- Operator Training Program (OTP)
- Foot-mat
- Power Conditioner
- Rollerbed Accessories
- Dual Monitor Kit

¹ Stated performance as measured by Rapiscan Imaging Validation Test Kit.

² With optional replaceable cover.

With continual development of our products Rapiscan Systems reserves the right to amend specifications without notice. Product pictures are for general reference. Please note that due to US laws and regulations, not all Rapiscan products are available for sale in all countries without restriction. Please contact your Rapiscan Systems sales representative for more information.

AMERICAS, CARIBBEAN

2805 Columbia Street
Torrance,
California
90503

UNITED STATES of AMERICA

Tel: +1 310-978-1457
Fax: +1 310-349-2491

EUROPE, MIDDLE EAST, AFRICA

X-Ray House
Bonehurst Road
Salfords
Surrey RH1 5GG

UNITED KINGDOM

Tel: +44 (0) 870-7774301
Fax: +44 (0) 870-7774302

ASIA

240 Macpherson Road
#07-01 Pines Industrial Building
Singapore
348574

SINGAPORE

Tel: +65-6846-3511
Fax: +65-6743-9915



Rapiscan Systems is ISO 9001:2008 and
ISO 14001:2004 + Cor. 1:2009 Certified

sales@rapiscansystems.com
www.rapiscansystems.com